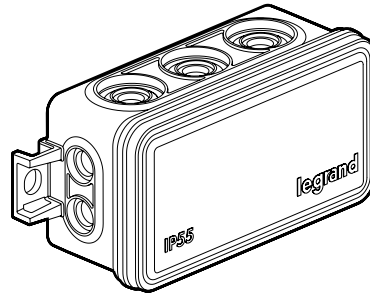


Plexo™ Rectangular junction box

Cat. No(s): 0 920 04



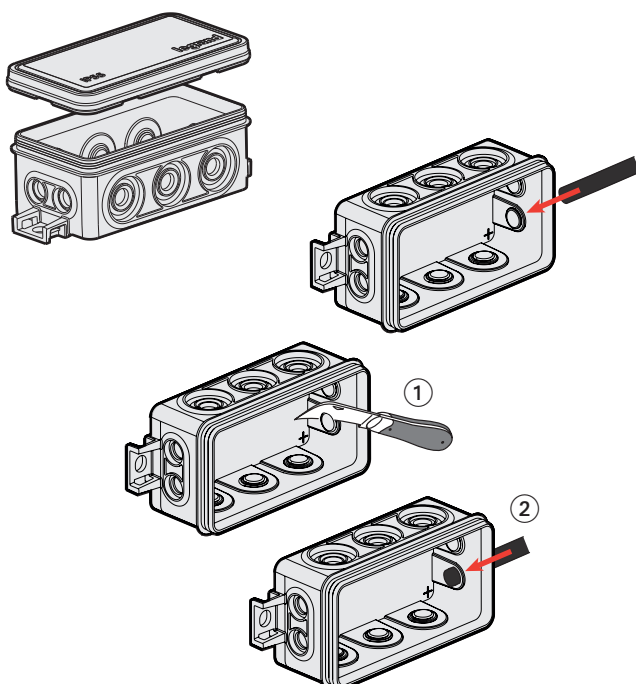
1. USE

The most compact rectangular weatherproof junction box in the Plexo range, ideal for installations in small spaces, and also installations where a discreet junction box is required. Includes 10 cable entries with knock-outs inside the box (tapered format). In order to maintain IP 55 protection, it is attached externally with screws or a Colring cable tie, using the same fixing points. Cable cross-section: 3G1/3G1.5/3G2.5

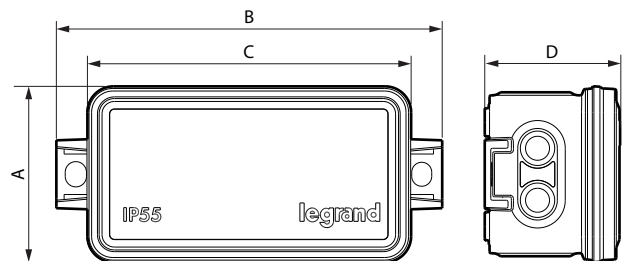
2. RANGE

Description	Grey
<ul style="list-style-type: none"> Junction box with 10 knock-out entries: <ul style="list-style-type: none"> - 6 longitudinal entries for cables with Ø 7 to 16 mm - 4 lateral entries for cables with Ø 7 to 9 mm Clip-on cover 	0 920 04

3. INSTALLATION



4. DIMENSIONS (mm)



A	B	C	D
44	96.5	81	34

5. TECHNICAL CHARACTERISTICS

■ 5.1 Mechanical characteristics

Protection against solid bodies and liquids: IP 55
Protection against impact: IK 07

■ 5.2 Material characteristics

Colour: Grey RAL 7035
Material box and cover: PP (Polypropylene)
Halogen-free
UV-resistant
Resistant to oil and grease

Self-extinguishing: 650°C/30 s

■ 5.3 Climate characteristics

Storage temperature: -25°C to +70°C
Use temperature: -25°C to +45°C

6. CLEANING

Surface cleaning with a cloth.
Do not use: acetone, tar remover, trichloroethylene.

Caution: A preliminary test should be carried out if other specific cleaning products are to be used.

7. STANDARDS AND APPROVALS

Compliant with installation and manufacturing standards.
See e-catalogue.