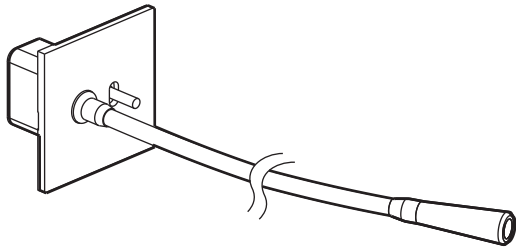


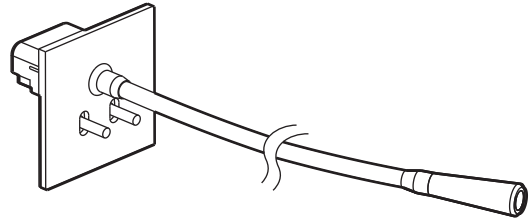
Epure style

LED lighting - Reading lights

Cat. No(s): 67341/42 - 67441/42 - 67841/42 - 67941/42



67341 - 67441 - 67841 - 67941



67342 - 67442 - 67842 - 67942

1. USE

LED reading lights for installation in bedhead units (supplied complete).
Provide directional lighting.
For flush mounting in a standard Batibox box (depth 50 mm).

2. RANGE

Control unit for lighting circuit (1 x 2-way switch)

Cat. No	Plate	Flexible	Head
67441	● Brushed steel	Black	Brushed steel
67341	● Bronze	Black	Lacquered brass
67841	● Matt black	Black	Matt black
67941	○ Satin white	Grey	Satin white

Control unit for 2 lighting circuits (2 x 2-way switches)

Cat. No	Plate	Flexible	Head
67442	● Brushed steel	Black	Brushed steel
67342	● Bronze	Black	Lacquered brass
67842	● Matt black	Black	Matt black
67942	○ Satin white	Grey	Satin white

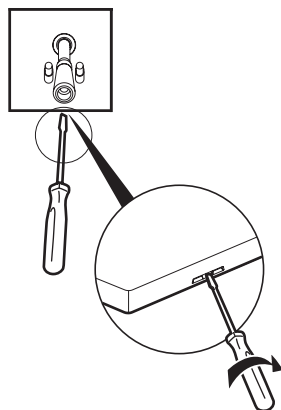
Note: Other finishes and configurations are provided, see technical data sheet F02217EN/00.

3. DISMANTLING

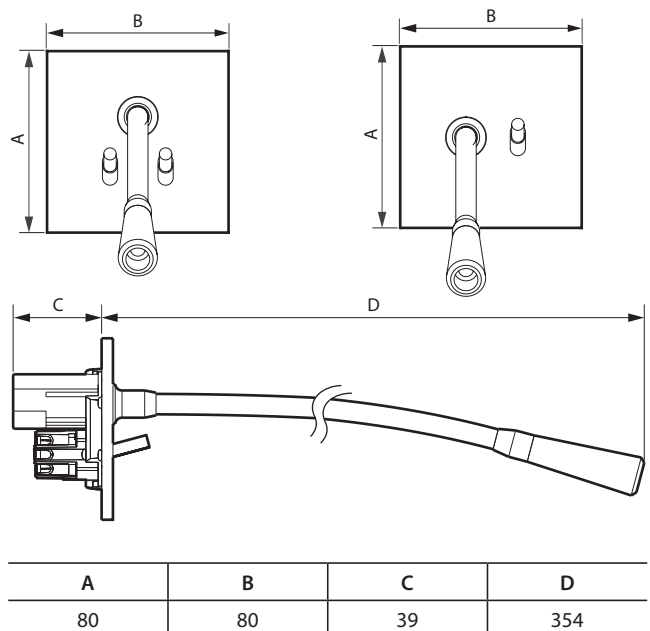
The plates can be dismantled by inserting the tip of a screwdriver in a purpose-designed notch on the sides of the plate and using it as a lever to unclip it from the fixing points.

Once the plate has been lifted off the wall slightly, just slide your fingers between the plate and the wall to gently remove the plate.

Take care not to pull too hard on the plate, to avoid breaking the fixing clips.



4. DIMENSIONS (mm)



5. CONNECTION

Type of terminals: with screws
Terminal capacity: 2 x 1.5 mm²
Stripping length: 8 mm
Compatible flexible or rigid cable
Screwdriver: flat 3 mm

6. TECHNICAL CHARACTERISTICS

■ 6.1 Mechanical characteristics

Impact test: IK 02

Ingress of solids/liquids: IP 20

■ 6.2 Material characteristics

Mechanism housing: PC

Plates, ferrules, heads:

- Brushed steel: brushing + steel colour galvanising + varnish
- Bronze: oxidation of the brass + patina and brushing + varnish
- Matt black: bronze + matt paint
- Satin white: bronze + silk-feel paint

Flexible arm: Fabric-covered steel

Self-extinguishing:

- 850° C / 30 s for insulating parts holding live parts in place
- 650° C / 30 s for the other insulating components

■ 6.3 Electrical characteristics

Protection class: II

Voltage: 110/230 V~

Frequency: 50/60 Hz

Power: 1 W max.

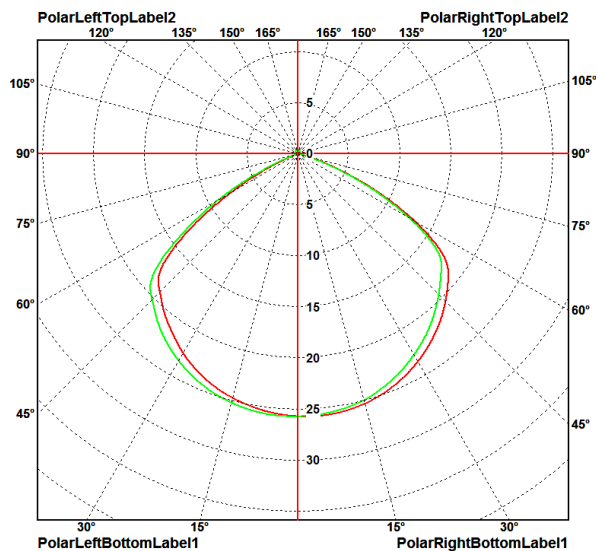
Product tested for 40,000 on/off cycles.

Colour	Colour temperature	Luminous flux
Warm white	3000 K	110 lm

LED lifetime: 40,000 hours

The light source for this luminaire cannot be replaced. When the light source reaches its end of life, the whole luminaire needs to be replaced.

■ 6.4 Polar diagram



■ 6.5 Climatic characteristics

Storage temperature: - 10° C to + 70° C

Use temperature: - 5° C to + 25° C

7. CARE

■ 7.1 Instruction

Use a cloth moistened with methylated spirit, glass cleaner or soapy water. These products contain no harsh chemicals and are non-abrasive.

■ 7.2 Banned products

Special products for stainless steel, renovator polishes, as these are usually abrasive and contain harsh chemicals.

- Products containing bleach or acid (descalers for example).
- Scouring powders (these contain abrasives).

8. STANDARDS AND APPROVALS

CE